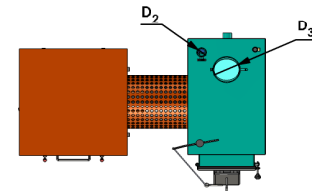
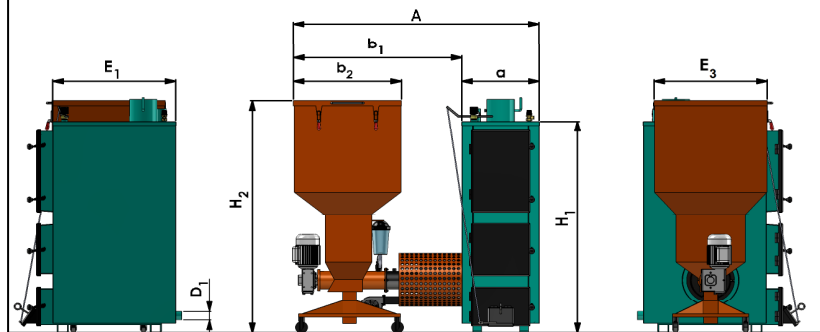
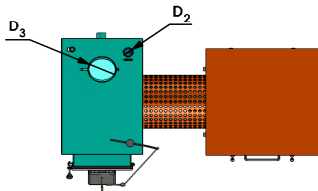
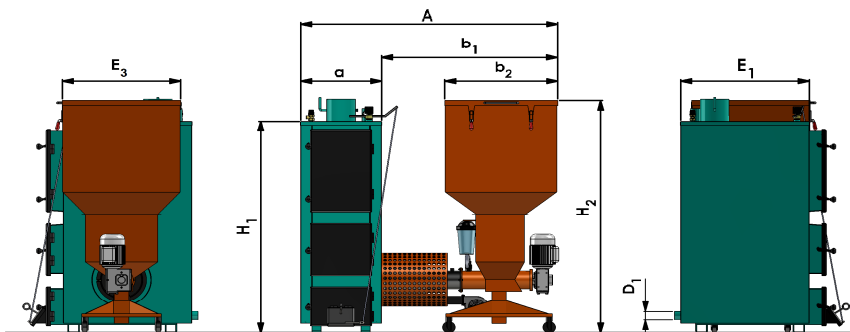




Jauda KW	Katla izmēri			Degļa izmēri					A	D1	D2	D3	NETO kg
	H 1	a	E 1	Modelis	H 2	b 2	b 1	E 3					
28	1080	485	560	EE BRN	1500	570	1200	570	1685	40	40	140	200
36	1250	530	670	EE BRN	1500	570	1200	570	1730	40	40	160	250
50	1450	530	670	EE BRN	1500	570	1200	570	1730	40	40	160	370
80	1650	610	960	EE BRN kp	605	*	1200	375	1810	40	40	219	730
100	1650	670	1200	EE BRN kp	605	*	1400	375	2070	40	40	219	890
120	1650	700	1200	EE BRN kp	605	*	1400	375	2100	40	40	273	920
150	1650	700	1300	EE BRN kp	605	*	1400	375	2100	50	50	273	970





Jauda KW	Katla izmēri			Degļa izmēri					A	D1	D2	D3	NETO kg
	H 1	a	E 1	Modelis	H 2	b 2	b 1	E 3					
28	1080	485	560	EE BRN	1500	570	1200	570	1685	40	40	140	200
36	1250	530	670	EE BRN	1500	570	1200	570	1730	40	40	160	250
50	1450	530	670	EE BRN	1500	570	1200	570	1730	40	40	160	370
80	1650	610	960	EE BRN kp	605	*	1200	375	1810	40	40	219	730
100	1650	670	1200	EE BRN kp	605	*	1400	375	2070	40	40	219	890
120	1650	700	1200	EE BRN kp	605	*	1400	375	2100	40	40	273	920
150	1650	700	1300	EE BRN kp	605	*	1400	375	2100	50	50	273	970

